

Parts:

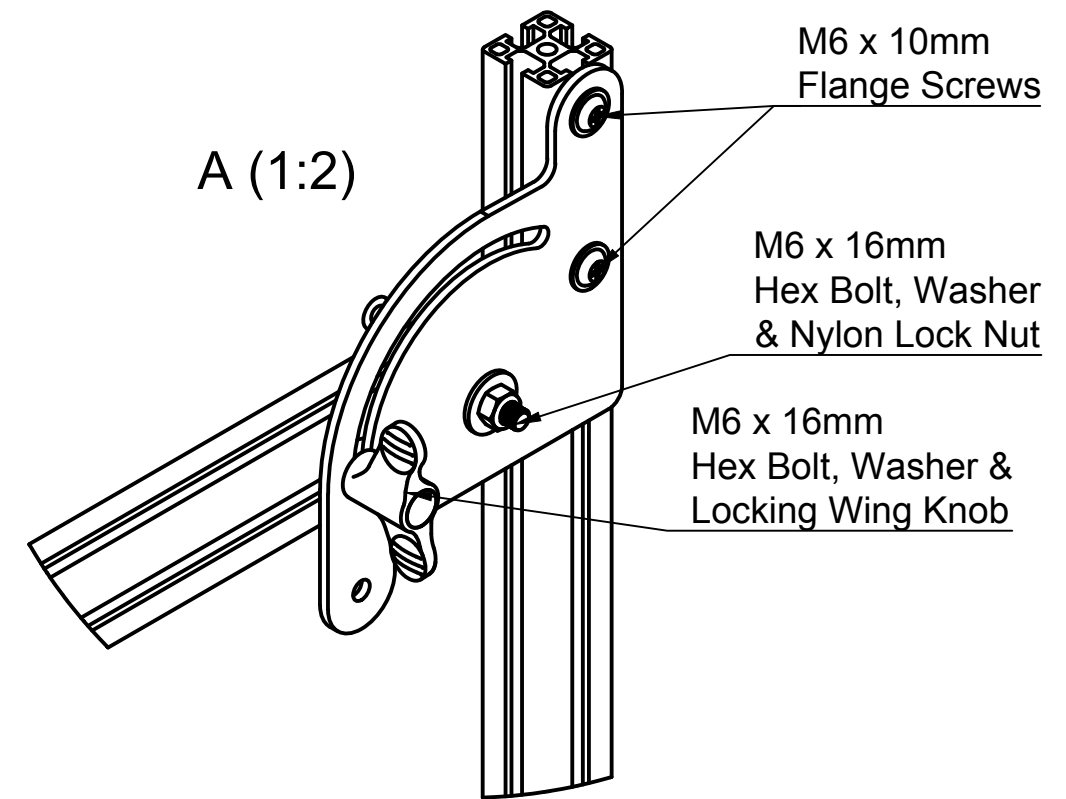
- 2 x 600mm VFrame
- 2 x 1000m VFrame
- 2 x 300mm VFrame
- 4 2 IABS bracket assemblies
- 2 x End stops with 10mm flange screws & nuts
- 2 x End stops with nyloc nuts & bolts
- 2 x 25mm x 90 degree brackets with 2 x 10mm Flange screw & nut
- 2 x 25mm x 90 degree brackets with 1 x 10mm flange screw & nut

1m wide
 1000mm VFrame

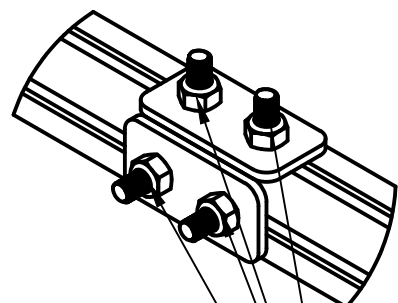
1.2m wide
 2 x 600mm VFrame 3 x end stops with hex bolt and nyloc nuts

1.5m wide
 2 x 750mm Vframe, 4 x end stops with hex bolt and nyloc nuts

A (1:2)



B (1:2)



VsionAir Lighting, Camera & Vertical Tool Bar Rig Assembly Diagram (All Sizes)

